

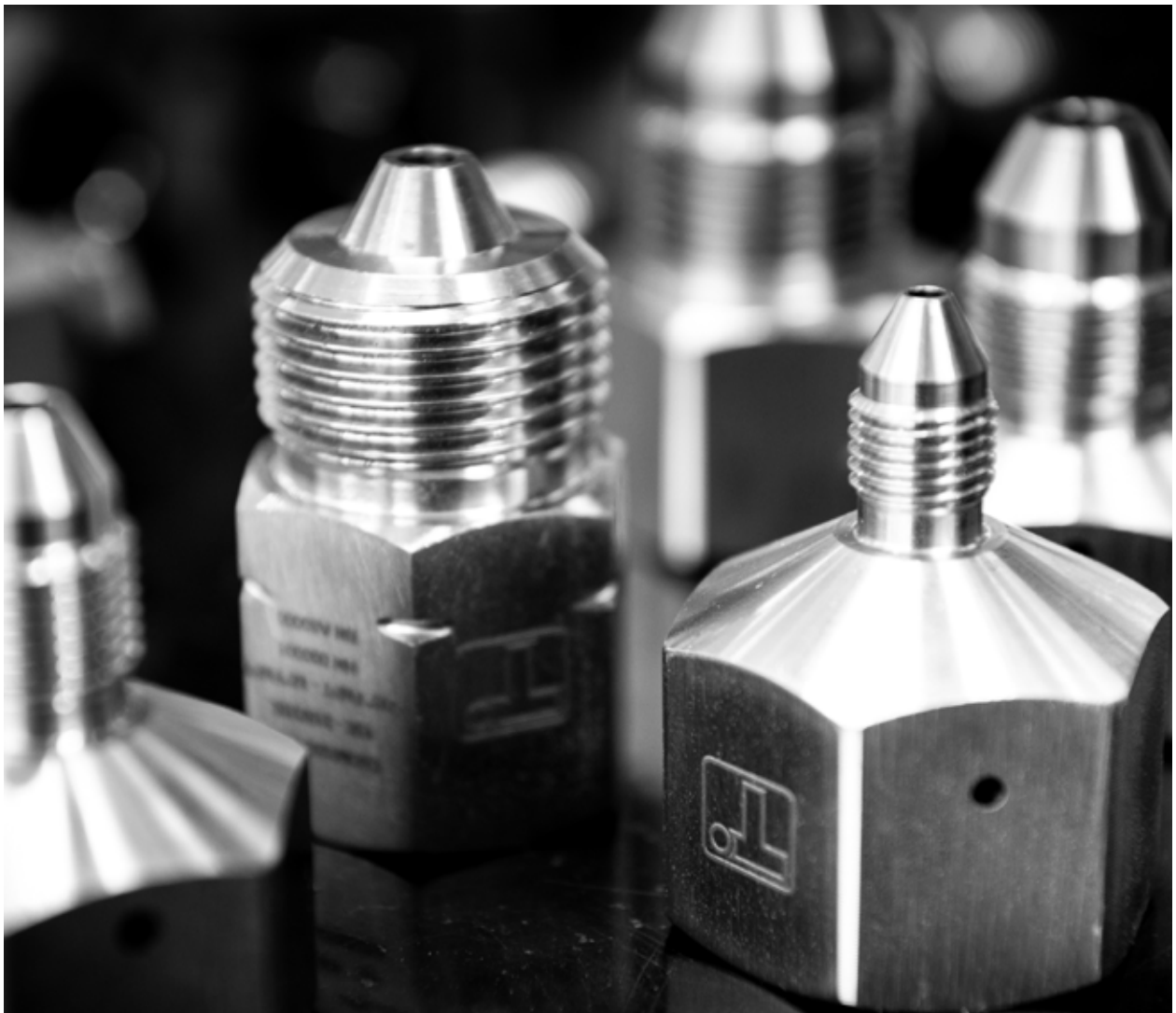
**Transfer Oil - Bulletin**

---

# **TO UHP**

**MECHANICAL DIVISION**

**STAINLESS STEEL ADAPTERS**



**TRANSFER OIL**  
Pure Fluid Attitude

# ADAPTERS



## Reliable and long lasting connections

Available in more than 850 configurations, adapters from Transfer Oil can be used both with fluids and gases and are in compliance with NACE MR0175.

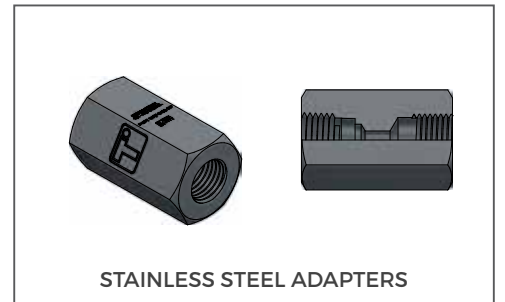
Made in 316L stainless steel, Transfer Oil adapters are all in house manufactured and come in 3 configurations (male/male, male/female, female/female) for pressures from 10k psi (690 bar) to 60k psi (4137 bar).

In addition, they are coned and threaded for Ultra High Pressure and offer 100% traceability (3.1 - UNI EN 10204 - certificate included).

Dimensions from 1/8" to 1+1/2".

### Available connections:

- MP MEDIUM PRESSURE CONED AND THREADED
- HP HIGH PRESSURE CONED AND THREADED
- NPT NATIONAL PIPE THREADED
- BSP BRITISH STANDARD PIPE AND THREADED
- JIC JOINT INDUSTRY COUNCIL THREADED
- TYPE M METRIC THREADED



*State of the art equipment and dedicated engineering division*

Transfer Oil is today one of the most representative manufacturing players in the high pressure thermoplastic hose industry.

Founded in 1979, Transfer Oil produced since its beginning reinforced thermoplastic hoses for medium and ultra high pressure applications.

Recently opened, the mechanical division features state of the art equipment for manufacturing the extensive range of quality UHP valves, fittings, and tubing.

By extending the UHP range with steel adapters, Transfer Oil can cover every UHP need in the industry.

**In a nutshell, Pure Fluid Attitude.**

 **TRANSFER OIL**  
Pure Fluid Attitude