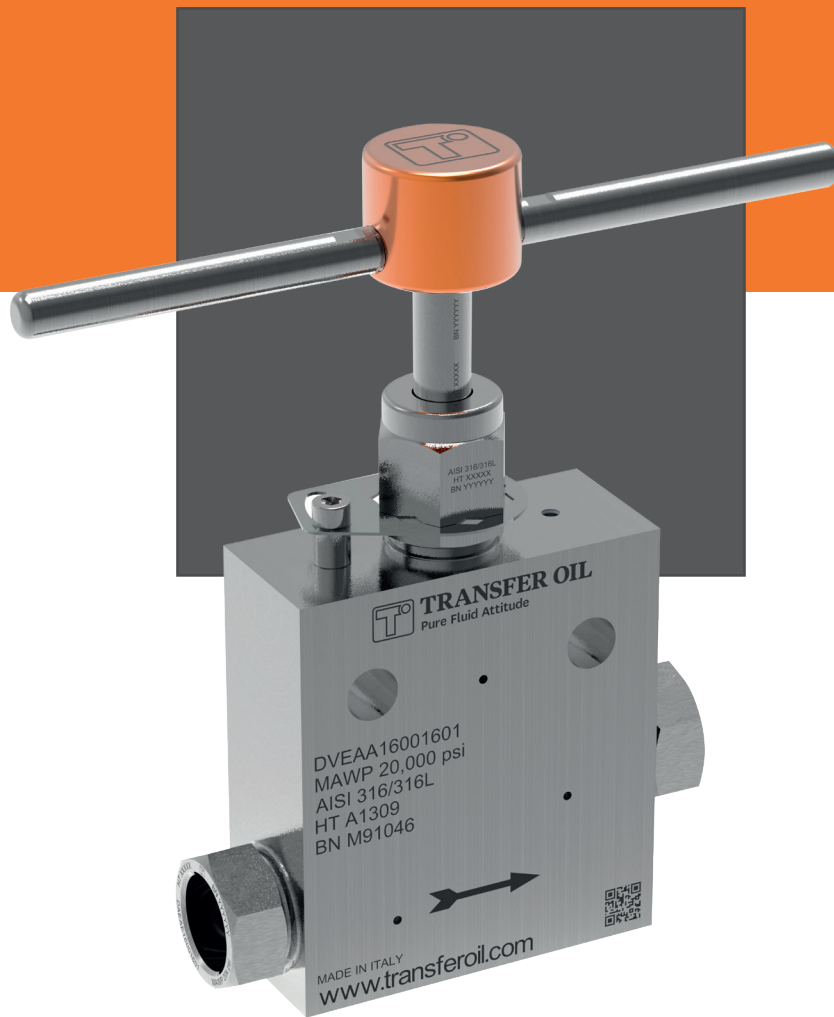


TO VFT

STEEL VALVES | FITTINGS | TUBING

3/4" & 1" NEEDLE VALVES



TRANSFER OIL
Pure Fluid Attitude

MP proven quality valves

Transfer Oil widens its range of needle valves with two new sizes of 3/4" and 1".

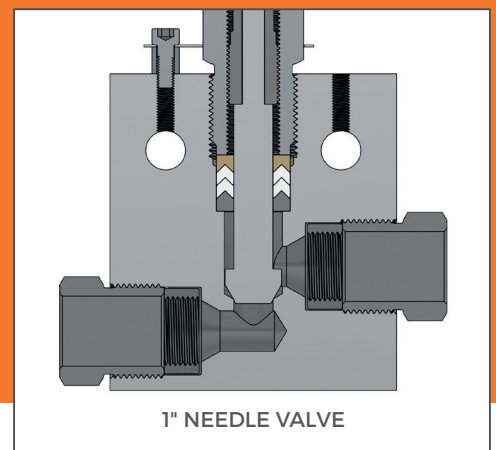
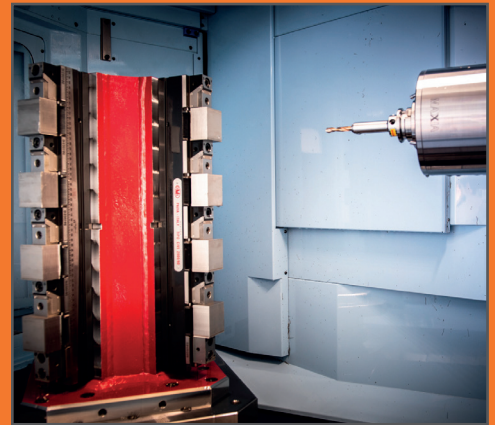
Medium pressure needle valves are ideal in applications for the chemical/petrochemical, waterblast, waterjet, pressure testing, and Oil & Gas industries.



Features

- Pressure: **20,000 psi** (1379 bar)
- Connections **3/4" and 1"** coned and threaded tube
- **Non-rotating stem**
- **Bar stock body** design, AISI 316/316L
- Metal-to-metal sealing achieves ideal shutoff and **longer stem/seat lifetime** with abrasive flows
- Excellent **corrosion resistance** and greater **durability for repeated on/off cycles**
- **Reinforced PTFE** for packing material
- Operating temperature ranging from **-100°F (-73°C) to +600°F (+316°C)**
- Mechanical **gland packing secured in position** by safe and reliable locking device
- **3.1 (UNI EN 10204)** certificate included
- **Gland nut and collar** included

NACE MR0175-2015 compliant



Special tip angle design to assure a durable and precise sealing.

A non rotating stem grants easy turning under high pressure.

Founded in 1979, Transfer Oil from its beginning has produced, reinforced thermoplastic hoses and today is continually setting new standards as a leader in the fluid and gas conveyance industry for medium and ultra high pressure applications.

The VFT division features state of the art equipment manufacturing the extensive range of quality MP / HP valves, fittings, and tubing.

In a nutshell, **Pure Fluid Attitude.**

 **TRANSFER OIL**
Pure Fluid Attitude

TRANSFER OIL S.p.A
via sacca 64
43052 parma italy

info@transferoil.com - www.transferoil.com

